



Viking Sink Company LLC
 715-289-3540 - FAX 715-289-3542

CUSTOM SHOWER FLOOR ORDER FORM "D"

FOR VSC OFFICE USE ONLY

ORDER # _____
 SOC: _____ -ROUTE _____
 DELIVERY DATE: _____

CUSTOMER: _____ PO # _____

ADDRESS: _____ DATE: _____ PHONE: _____ JOB NAME: _____

ORDERED BY: _____ FAX: _____ E-MAIL: _____

SPECIAL INSTRUCTIONS _____

BATHROOM ACCESSORIES

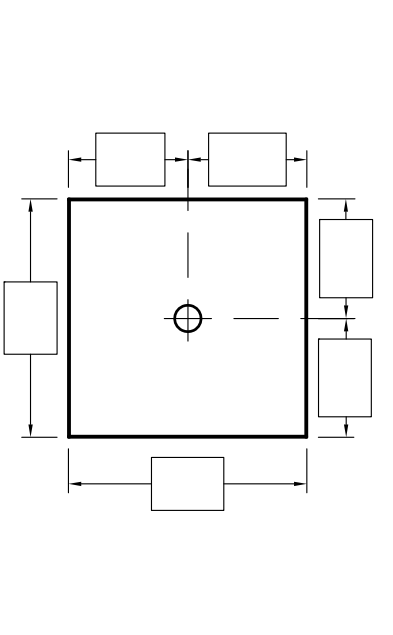
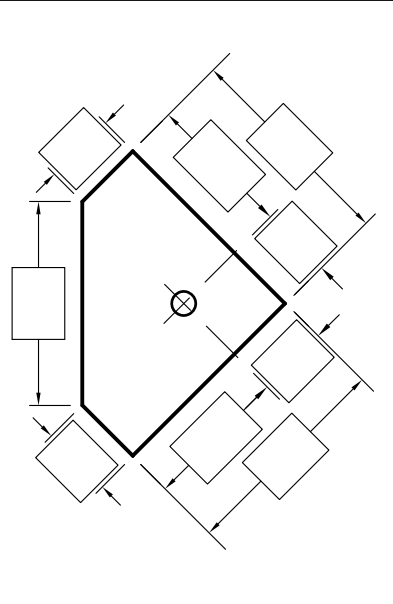
- SHOWER SEAT
- RECESSED DOUBLE SHAMPOO HOLDER
- RECESSED SINGLE SHAMPOO HOLDER
- SM. CORNER SHAMPOO HOLDER (2-SHELF)
- LG. CORNER SHAMPOO HOLDER (3-SHELF)
- CORNER SOAP DISH
- INSIDE CORNER TRIM 9 FT. LONG
- OUTSIDE CORNER TRIM
- BATTEN STRIP
- CEILING TRIM

CONFIRMED

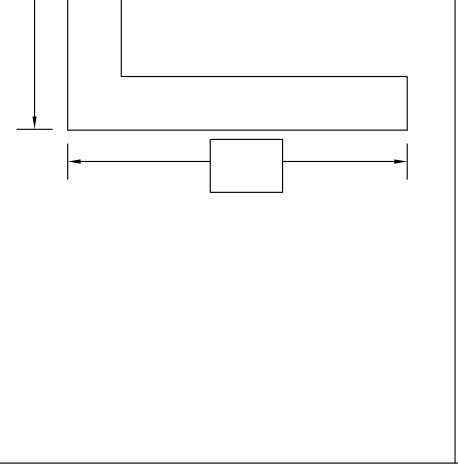
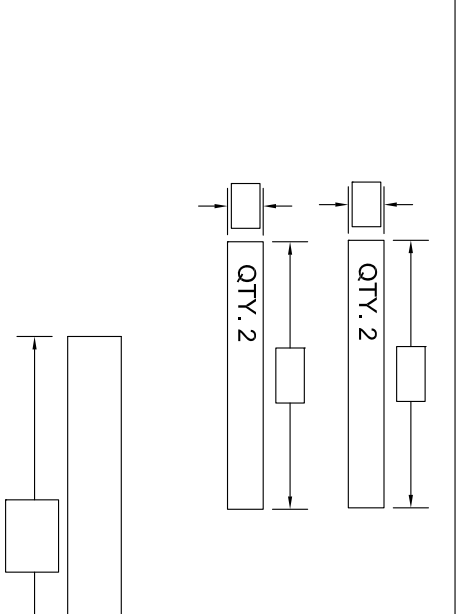
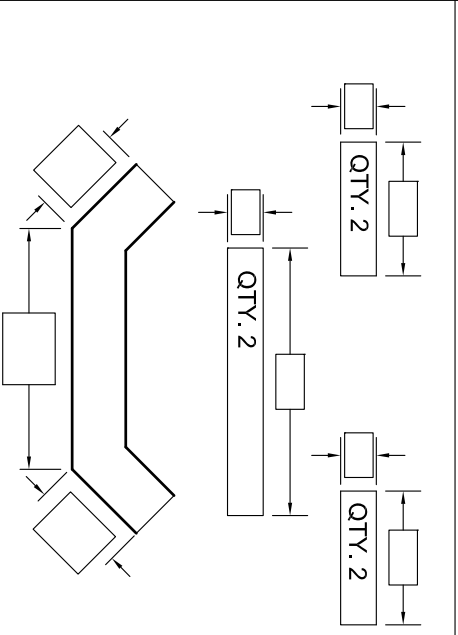
BY: _____
 DATE: _____
 \$ _____

INDICATE:
 (F) FINISHED EDGE
 (NF) NON FINISHED EDGE

BASE COLOR: _____ THRESHOLD COLOR: _____



INDICATE THRESHOLD LOCATION & LENGTH.
 STANDARD
 ADA
 FLOOR MEASUREMENTS MUST BE ROUGH OPENING. (STUD TO STUD)



INCOMPLETE INFORMATION MAY DELAY PROCESSING AND DELIVERY - PLEASE SIGN BELOW AND RETURN

I AGREE AND ACCEPT THE SPECIFICATIONS FOR THE VANITY TOP AS ORDERED
 DATE: _____ SIGNATURE: _____ QUOTE# _____

ORDER
 QUOTE ONLY